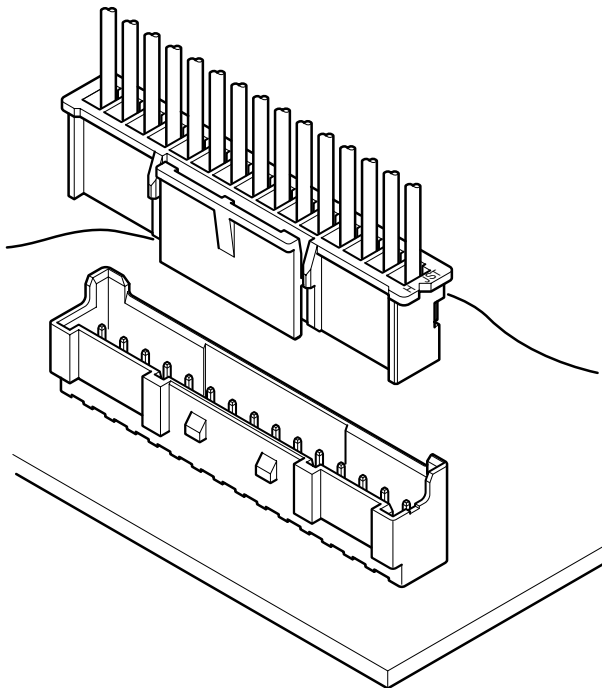


JST

Crimp

2.0mm
(.079") pitch

PA CONNECTOR

Disconnectable Crimp style connectors

Features

• **Locking device**

The housing has a locking device to securely hold the header, preventing accidental disconnection because of external forces that might result from the routing of wires during assembly process or of vibration.

• **Reliable contacts**

The box contact supplies stable contact performance even under conditions of vibration, distortion, low voltage or low current.

• **Low insertion force**

Header pins are reflow-treated, which provides low insertion force.

• **Insertion guide mechanism**

Header has housing insertion guides for easy and secure insertion.

• **Flanged press pin**

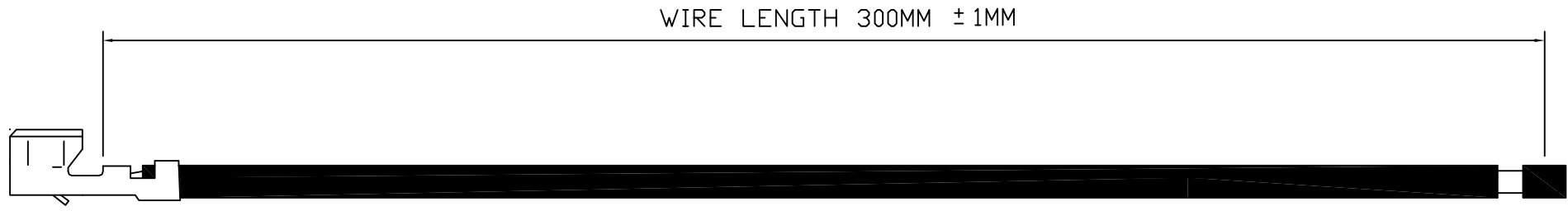
Top entry type header has flanged press pins, preventing accidental removal of the pins that might result from the distorted unmating especially in the case of small no. of circuits.

• **Polarizing boss**

Top entry type headers with polarizing bosses are also available.

Specifications

- Current rating: 3A AC, DC (AWG#22)
 - Voltage rating: 250V AC, DC
 - Temperature range: -25°C to +85°C
(including temperature rise in applying electrical current)
 - Relative humidity: 0 to 80%
 - Contact resistance: Initial value/10m Ω max.
After environmental testing/20m Ω max.
 - Insulation resistance: 1,000M Ω min.
 - Withstanding voltage: 800V AC/minute
 - Applicable wire: AWG #28 to #22
 - Applicable PC board thickness: 1.6mm(.063")
- * Contact JST for details.



SPHD-001T-P0.5

SEMI-STRIP 5MM

DESCRIPTION	PART NUMBER	QTY
CONTACT	SPHD-001T-P0.5	1
BLUE WIRE	UL1007, 24AWG	0.300M

ISSUE	PART NUMBER	DATE	07/04/05	JUK PART NUMBER	DRAWN	ISSUED	PART No.
				SPHD1-SS5-24300	MWS		
					CHECKED		
					PDS		