



ENGLISH

Datasheet

RS Pro Bronze Sight Glass Non-Return Valve, 1/2" BSP

RS Stock No: 720-9320



Product Description

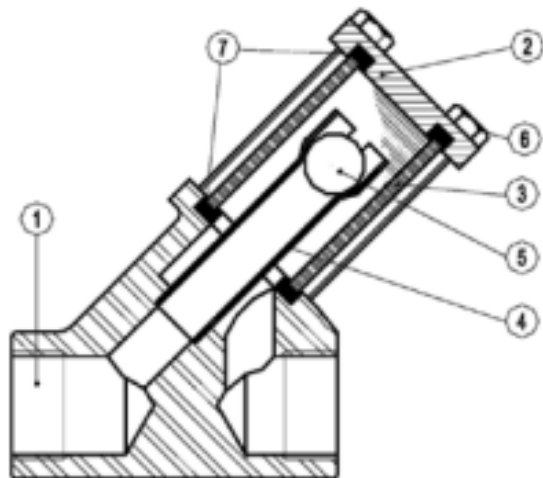
Being installed after the steam trap, the sight checker is a device to be used for visually checking the conditions and leakage of steam traps.

SCK sight checker functions as both sight glass and check valve. Connections are female screwed.

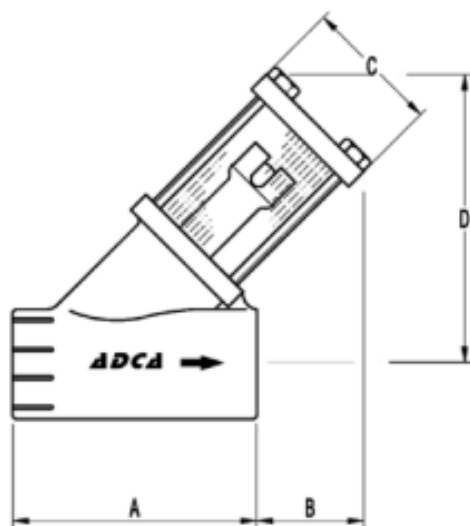
USE:	Condensate pipes downstream steam traps.
SIZES:	1/2"
CONNECTIONS:	Female screwed ISO 7/1Rp(BS21).
INSTALLATION:	Horizontal installation or Vertical Installation

PMO – Max. operating pressure: 12 bar

TMO – Max. operating temperature: 150 °C



Pos. Num.	Designation	Material
1	Body	Bronze B62
2	Cover	Brass EN12165
3	Slight Tube	Borosilicate Glass
4	Discharge	Tube Copper
5	Ball Check	Stainless Steel
6	Bolts	Seel 8.8
7	*Gasket	Graphite
*Available spare parts		



ENGLISH

Dimensions (MM)					
SIZE	A	B	C	D	WGT. Kgs
1"	90	40	56	110	1.3