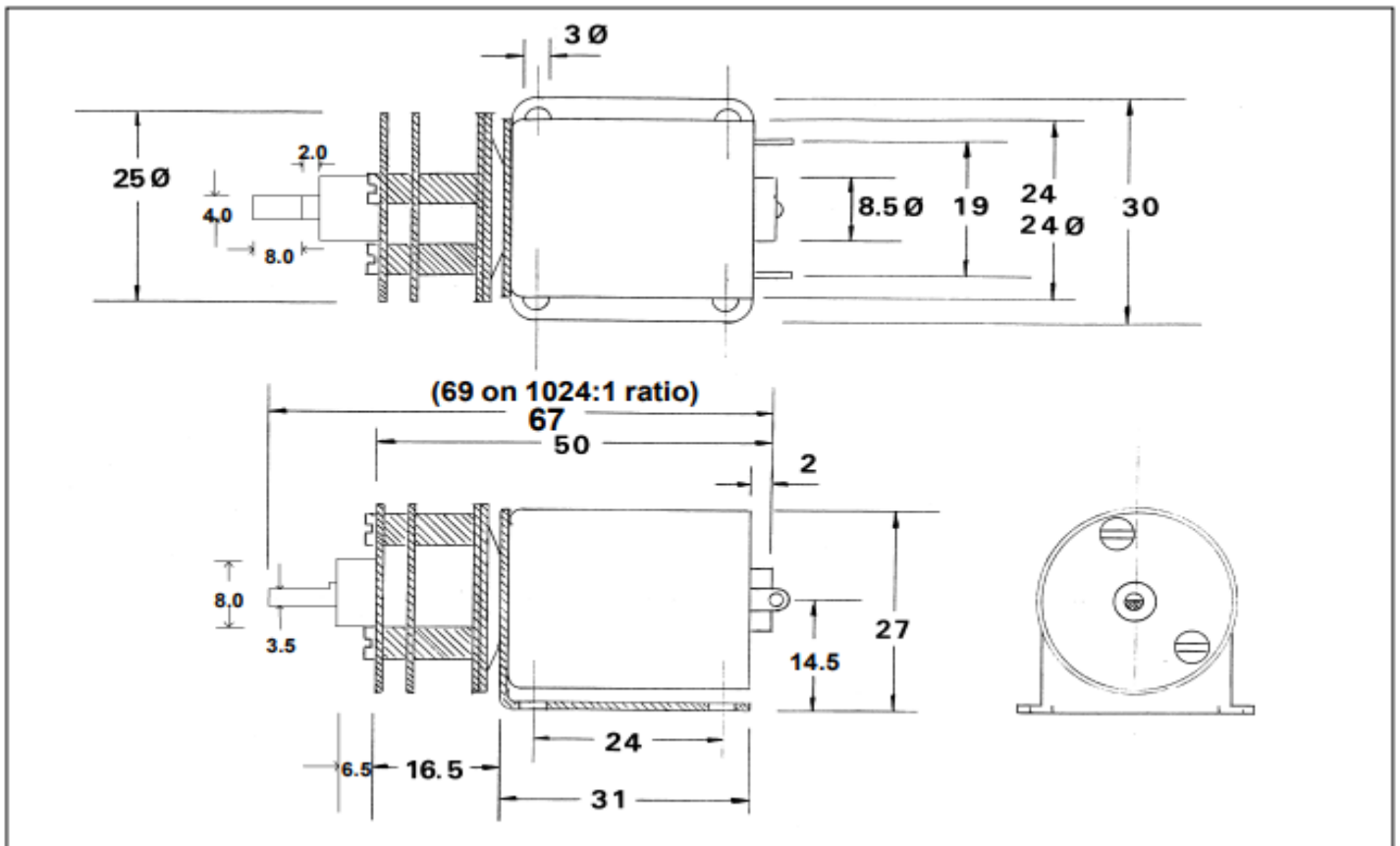
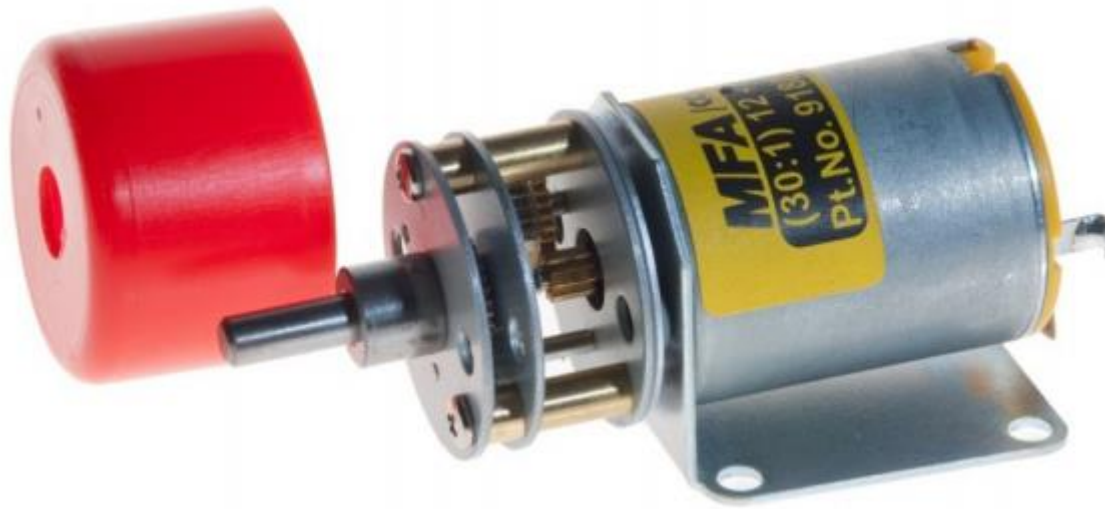


Datasheet

# RS Pro Single Ratio Metal Gearbox

Stock No: 413-0622



Voltage		No Load		At Maximum Efficiency					
Operating Range	Nominal	Speed	Current	Speed	Current	Torque		Output	Eff
		R.P.M.	A	R.P.M.	A	OZ - IN	G - CM	W	%
12 - 24	12 V Constant	8224	0.046	6636	0.194	0.27	19.2	1.31	56.1

Stall Torque		Weight
OZ - IN	G - CM	77g
1.389	99.3	

**REDUCTION TABLE R.P.M. (No Load)**

	1.5V	3.0V	6V	12V	18V	24V
413-0622			41	82	123	164

Note: Motor speeds may vary by (+) or (-) 12.5%

<b>No Load Backlash</b>	Max. 2 deg.
<b>Max. Radial Load: (10mm from flange)</b>	300gf.
<b>Shaft Axial Load</b>	200gf.

This miniature gearbox is of steel and brass construction with brass gears and is mounted on a 1mm thickness steel bracket.

It incorporates a high quality three pole motor with sleeved bearings.

The design and construction of the unit make it suitable for a host of model and light industrial applications.

RE280/1 Motor (Ratio 100:1)

All with 4mm output shaft.

**IMPORTANT NOTICE** At very low ratios the torque produced by this geared motor combination may exceed the maximum permissible torque of the gearbox. In this situation the unit must not be allowed to stall as this may damage the gears

**IMPORTANT NOTICE** Due to the wide range of applications for this product it is the users responsibility to establish the products suitability for their individual purpose(s).