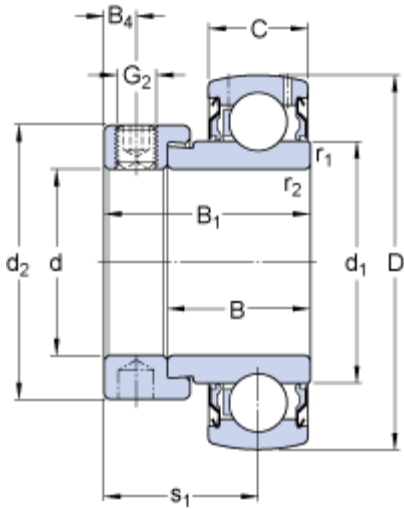


YET 205

Popular item

Dimensions



d	25	mm
D	52	mm
B_1	31	mm
B	21.5	mm
C	15	mm
d_1	33.74	mm
d_2	37.4	mm
B_4	4.75	mm
$r_{1,2}$	min. 0.6	mm
s_1	23.5	mm

Calculation data

Basic dynamic load rating	C	14	kN
Basic static load rating	C_0	7.8	kN
Fatigue load limit	P_u	0.335	kN
Limiting speed ¹⁾		7000	r/min
Calculation factor	f_0	14	

Mass

Mass complete bearing		0.2	kg
-----------------------	--	-----	----

Mounting information

Thread grub screw	G_2	M6x0.75
Hexagonal key size for grub screw	N	3 mm
Recommended tightening torque for grub screw		4 N·m

Associated products

Rubber seating ring		RIS 205
---------------------	--	---------