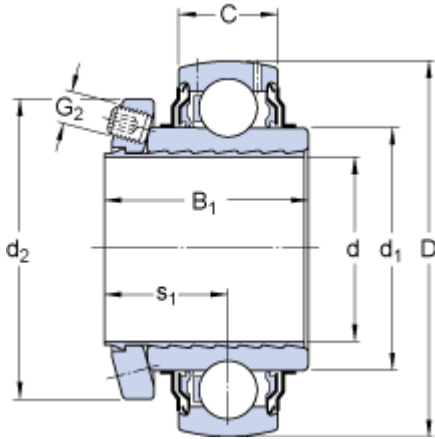


# YSP 206 SB-2F

## Dimensions



d	30	mm
D	62	mm
B <sub>1</sub>	37.2	mm
C	18	mm
d <sub>1</sub>	39.7	mm
d <sub>2</sub>	48	mm
s <sub>1</sub>	23.2	mm

Values specified for B<sub>1</sub> and s<sub>1</sub> are approximate and before the grub screw is tightened (sleeve and inner ring bore at starting position).

## Calculation data

Basic dynamic load rating	C	19.5	kN
Basic static load rating	C <sub>0</sub>	11.2	kN
Fatigue load limit	P <sub>u</sub>	0.475	kN
Limiting speed <sup>1)</sup>		6300	r/min
Calculation factor	f <sub>0</sub>	14	

## Mass

Mass complete bearing		0.31	kg
-----------------------	--	------	----

## Mounting information

Thread grub screw	G <sub>2</sub>	M5	
Hexagonal key size for grub screw	N	2.54	mm
Recommended tightening torque for grub screw		4.2	N·m

## Associated products

Rubber seating ring		RIS 206 A	
---------------------	--	-----------	--