
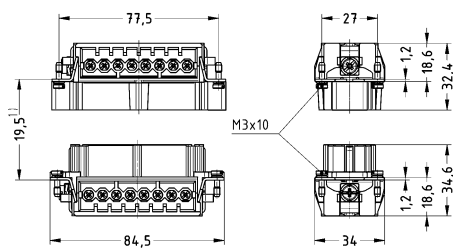
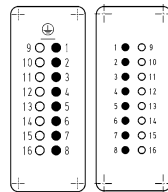
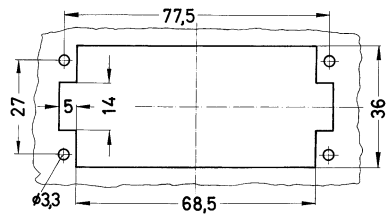




Number of contacts

16+

16 A 400 V 6 kV 3

Identification	Conductor cross-section (mm ²)	Part number		Drawing (dimensions in mm)
		Male	Female	
Han [®] Thermocouple , Screw termination, With wire protection 	1 ... 2,5	09 33 016 2691	09 33 016 2791	 <p>1) distance for contact max. 21 mm</p>  <ul style="list-style-type: none"> ◆ Fe ○ CuNi  <p>Panel cut out</p>

Ther-
mo