



Datasheet

RS PRO Safety Interlock Switch, Plastic body, 2NC slow action, PG13.5 conduit

Stock number: **179-7564**

EN

Features:

- Galvanically separated contacts
- Screw terminals with self-lifting clamps for easy wiring
- Positive Opening of NC contacts
- 4×90° actuator positions
- Horizontal or Vertical Operation



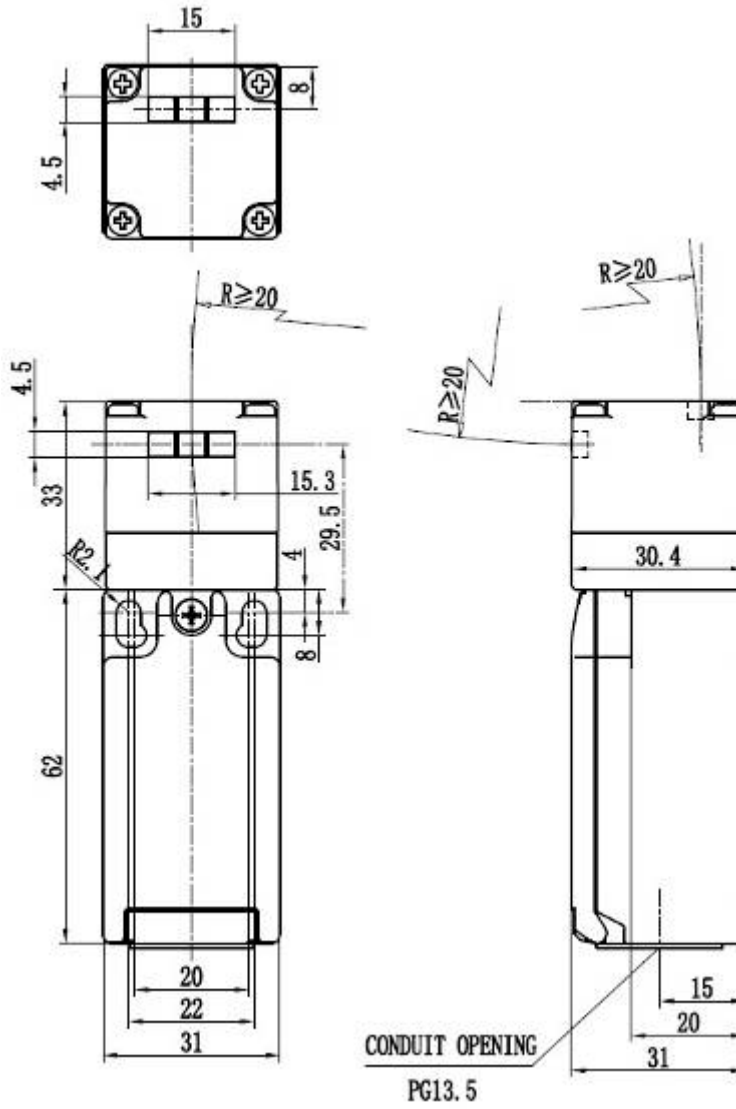
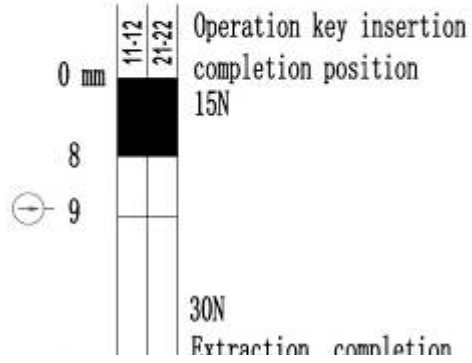
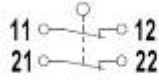
Specifications:

Operating Speed	0.05mm-0.5m/sec
Operating Frequency	Mechanical: 120 ops/min; Electrical: 30 ops/min
Insulation Resistance	>100MΩ@500V DC
Contact Resistance	<25mΩ(initial)
Rating Current/Voltage	10A/600V AC(EN60947-5-1) AC15 A600/DC13 Q300
Dielectric Strength	1000VAC for 1 min between current carrying parts 2500VAC for 1 min between non-current carrying parts
Service Life	Mechanically 1X10 ⁷ Electrically 5X10 ⁵
Operating Temperature	-25~+80°C (-13~176°F)
Degree of Protection	IP67



Circuit Diagram
Slow Action
(Changeover)

2NC



PG13.5