



Datasheet

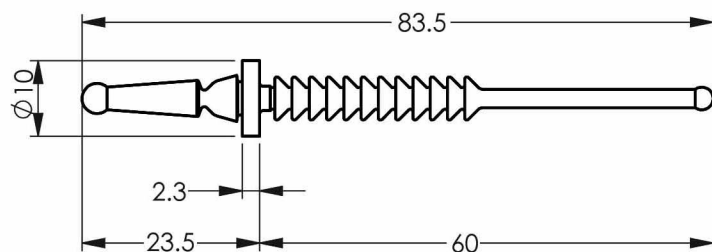
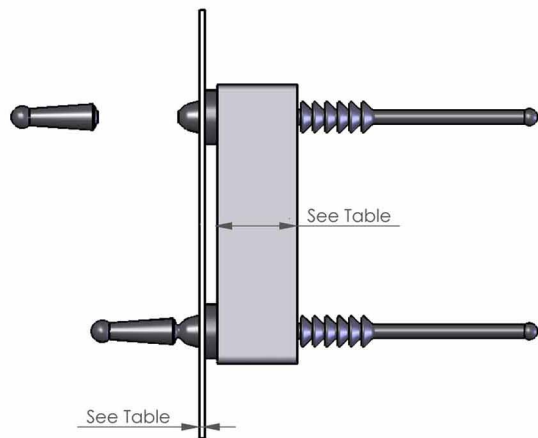
RS PRO Fan Mount Rivet 83,5mm

Stock number: 172-0861

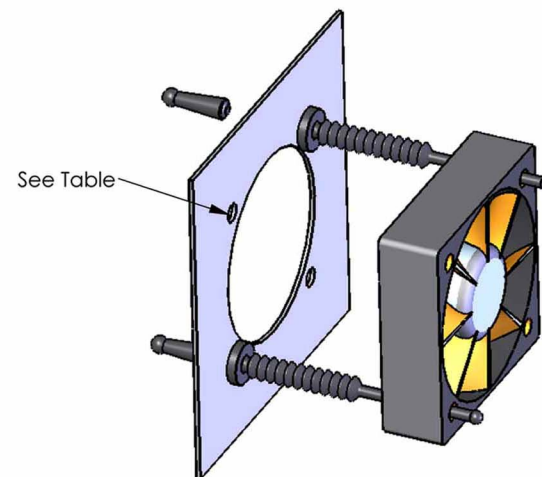
EN



DIMENSIONS	TOLERANCE
<4mm	±0.20
4mm~15mm	±0.30
15mm~30mm	±0.40
30mm~50mm	±0.50
50mm~100mm	±1.00
>100mm	±2.00



REVISIONS			
REV	DESCRIPTION	DATE	BY
01	NEW DRAWING	2012-4-21	Jack Xu



Panel Hole Dia.	Panel Thickness	Fan Hole Dia.	Fan Case Thickness
4.5~5.0	0.8~1.6	3.2~3.5 4.0~4.5	Up to 10 Up to 25

Unit:mm

NOTES:
 ASSEMBLY PROCEDURE:
 STEP 1: PULL MOUNT TO PANEL - GRIP BREAKS-AWAY AFTER FIXING •
 STEP 2: LOCATE AND ASSEMBLE FAN HOUSING •

SCALE	1:1	PART NAME	Fan Snap Rivet
COLOR	BLACK	PART NO.	172-0861
DRAWN	ALEX	MATERIAL	SILICONE RUBBER
CHECK	JACK	DRAWING NO.	KS180710-9
APPROVED	GARY	DRAWING DATE	2012-4-21