

## Thermal device circuit breaker - TCP 6A - 0712275

Please be informed that the data shown in this PDF Document is generated from our Online Catalog. Please find the complete data in the user's documentation. Our General Terms of Use for Downloads are valid (<http://phoenixcontact.com/download>)



Thermal miniature circuit breaker, pluggable in screw-type fuse terminal block UK 6-FSI/C and spring-cage fuse terminal block ST 4-FSI/C

### Your advantages

- A version with screw or spring-cage connection is used as a basic terminal block
- The reclosable thermal circuit breaker is available in ten nominal current levels ranging from 0.1 to 10 A
- Compact design
- The integrated switching function enables immediate reclosure and therefore ensures the availability of the system

### Key Commercial Data

|                                      |   |
|--------------------------------------|---|
| Packing unit                         | 20 pc   |
| GTIN                                 | <br>4 017918 848392 |
| GTIN                                 | 4017918848392   |
| Weight per Piece (excluding packing) | 10.810 g  |
| Custom tariff number                 | 85362010  |
| Country of origin                    | Indonesia   |

### Technical data

#### General

|  |   |
|--|---|
| Installation instructions              | When mounted in rows, the nominal device current can be limited to just 80% or must be oversized accordingly. |
| Mounting type                          | on base element   |
| Color                                  | black   |
| Number of positions                    | 1   |
| Overvoltage category_GRP               | II  |
| Insulating material                    | PPS   |
| Flammability rating according to UL 94 | V0  |

#### Electrical data

# Thermal device circuit breaker - TCP 6A - 0712275

## Technical data

### Electrical data

|   |                                     |
|---|-------------------------------------|
| Fuse  | Slow-blow                           |
| Fuse type                                       | Automatic device                    |
| Rated surge voltage                             | 2.5 kV                              |
| Rated voltage                                   | 250 V AC                            |
|   | 65 V DC                             |
|   | 250 V (AC according to UL 1077)     |
|   | 72 V (DC according to UL 1077)      |
| Rated current $I_N$                             | 6 A                                 |
| Insulation resistance $R_{iso}$                 | > 100 M $\Omega$ (500 V DC)         |
| Rated short-circuit switching capacity $I_{cn}$ | 48 A (250 V AC / 65 V DC)           |
|   | 60 A (30 V DC)                      |
| Short-circuit switching capacity $I_k$          | 2000 A (250 V AC / UL 1077)         |
|   | 2000 A (72 V DC / UL 1077)          |
| Dielectric strength                             | 3000 V AC (Actuation area)          |
|   | 1500 V AC (Installation area)       |
| Switching cycles, max.                          | 6000 (At 1 x $I_n$ , low-induction) |
|   | 3000 (At 1 x $I_n$ , inductive)     |
|   | 500 (At 2 x $I_n$ , inductive)      |
| Degree of pollution                             | 2                                   |
| Overvoltage category_GRP                        | II                                  |
| Insulating material group                       | IIIb                                |

### Dimensions

|                  |         |
|------------------|---------|
| Height           | 24.4 mm |
| Width            | 8.2 mm  |
| Depth            | 44.5 mm |
| Height NS 35/7,5 | 55 mm   |

### Ambient conditions

|                                 |                       |
|---------------------------------|-----------------------|
| Degree of protection            | IP40 (Actuation area) |
| Ambient temperature (operation) | -20 °C ... 60 °C      |

### Standards and Regulations

|                          |          |
|--------------------------|----------|
| Standards/specifications | EN 60934 |
|--------------------------|----------|

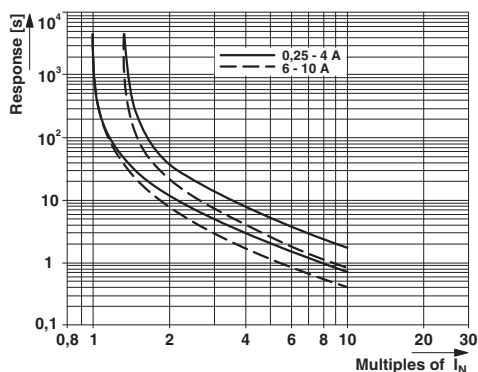
### Environmental Product Compliance

|            |   |
|------------|---|
| China RoHS | Environmentally friendly use period: unlimited = EFUP-e |
|            | No hazardous substances above threshold values          |

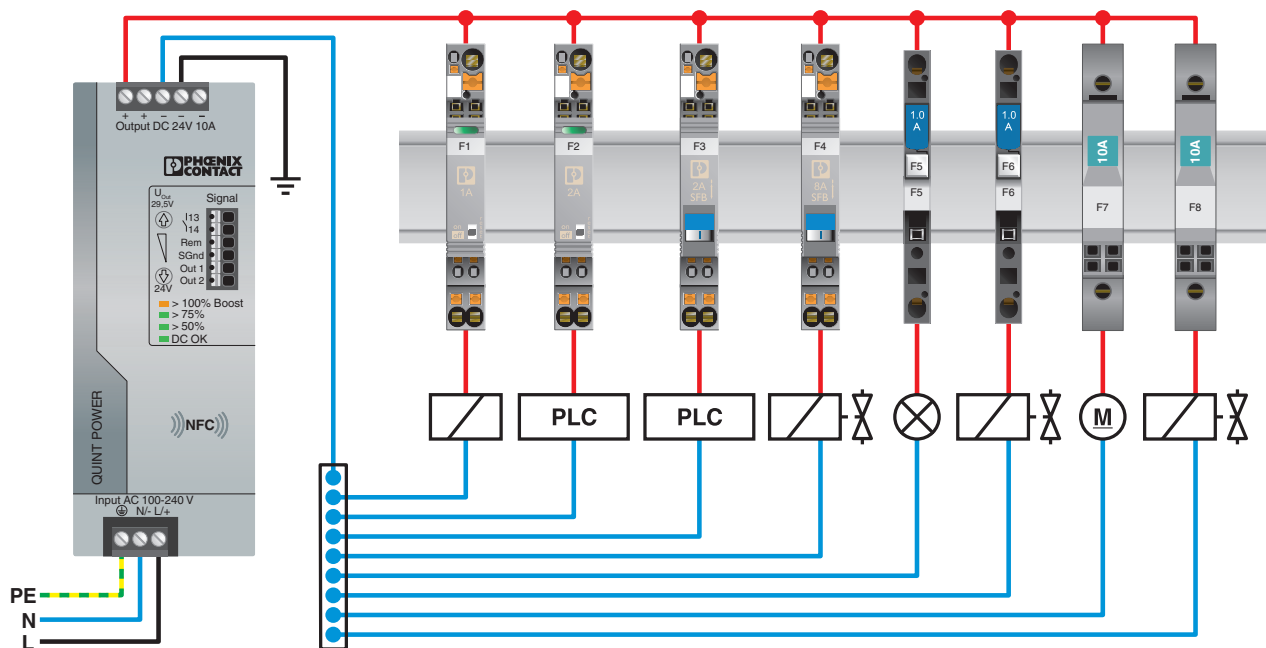
## Drawings

# Thermal device circuit breaker - TCP 6A - 0712275

Diagram



Application drawing



## Classifications

eCl@ss

|            |          |
|------------|----------|
| eCl@ss 4.0 | 27141116 |
| eCl@ss 4.1 | 27141116 |
| eCl@ss 5.0 | 27141116 |
| eCl@ss 5.1 | 27141100 |

# Thermal device circuit breaker - TCP 6A - 0712275

## Classifications

### eCl@ss

|            |          |
|------------|----------|
| eCl@ss 6.0 | 27141100 |
| eCl@ss 7.0 | 27141116 |
| eCl@ss 8.0 | 27141116 |
| eCl@ss 9.0 | 27141116 |

### ETIM

|          |          |
|----------|----------|
| ETIM 2.0 | EC000899 |
| ETIM 3.0 | EC000899 |
| ETIM 4.0 | EC000899 |
| ETIM 5.0 | EC000899 |
| ETIM 6.0 | EC000899 |

### UNSPSC

|               |          |
|---------------|----------|
| UNSPSC 6.01   | 30211812 |
| UNSPSC 7.0901 | 39121411 |
| UNSPSC 11     | 39121411 |
| UNSPSC 12.01  | 39121411 |
| UNSPSC 13.2   | 39121410 |

## Approvals


### Approvals

#### Approvals

CSA / UL Recognized / cUL Recognized / VDE Zeichengenehmigung / EAC / EAC / cULus Recognized

#### Ex Approvals

### Approval details

|                    |   |   |        |
|--------------------|---|---|--------|
| CSA                |  | <a href="http://www.csagroup.org/services-industries/product-listing/">http://www.csagroup.org/services-industries/product-listing/</a> | 074317 |
| Nominal voltage UN | 250 V   |   |        |
| Nominal current IN | 6 A   |   |        |

|               |   |   |               |
|---------------|---|---|---------------|
| UL Recognized |  | <a href="http://database.ul.com/cgi-bin/XYV/template/LISEXT/1FRAME/index.htm">http://database.ul.com/cgi-bin/XYV/template/LISEXT/1FRAME/index.htm</a> | FILE E 140459 |
|---------------|---|---|---------------|

# Thermal device circuit breaker - TCP 6A - 0712275

## Approvals

|                |  |   |               |
|----------------|--|---|---------------|
| cUL Recognized |  | <a href="http://database.ul.com/cgi-bin/XYV/template/LISEXT/1FRAME/index.htm">http://database.ul.com/cgi-bin/XYV/template/LISEXT/1FRAME/index.htm</a> | FILE E 140459 |
|----------------|--|---|---------------|

|                        |  |   |          |
|------------------------|--|---|----------|
| VDE Zeichengenehmigung |  | <a href="http://www2.vde.com/de/Institut/Online-Service/VDE-gepruefteProdukte/Seiten/Online-Suche.aspx">http://www2.vde.com/de/Institut/Online-Service/VDE-gepruefteProdukte/Seiten/Online-Suche.aspx</a> | 40034332 |
|------------------------|--|---|----------|

|     |  |  |               |
|-----|--|--|---------------|
| EAC |  |  | EAC-Zulassung |
|-----|--|--|---------------|

|     |  |  |                         |
|-----|--|--|-------------------------|
| EAC |  |  | RU C-<br>DE.A*30.B01546 |
|-----|--|--|-------------------------|

|                  |  |  |  |
|------------------|--|--|--|
| cULus Recognized |  |  |  |
|------------------|--|--|--|

## Accessories

### Accessories

#### Terminal marking

Flat zack marker sheet - ZBFM 5/WH:UNBEDRUCKT - 0803595



Flat zack marker sheet, Sheet, white, unlabeled, can be labeled with: CMS-P1-PLOTTER, PLOTMARK, mounting type: snap into flat marker groove, for terminal block width: 5.2 mm, lettering field size: 5 x 4.5 mm

Flat zack marker sheet - ZBFM 5/OG:UNBEDRUCKT - 0807180



Flat zack marker sheet, Sheet, orange, unlabeled, can be labeled with: CMS-P1-PLOTTER, PLOTMARK, mounting type: snap into flat marker groove, for terminal block width: 5.2 mm, lettering field size: 5 x 4.5 mm

## Additional products

## Thermal device circuit breaker - TCP 6A - 0712275

### Accessories

Fuse modular terminal block - ST 4-FSI/C - 3036372



Fuse modular terminal block, fuse type: Flat, connection method: Spring-cage connection, cross section: 0.08 mm<sup>2</sup>-6 mm<sup>2</sup>, AWG: 28 - 10, nominal current: 30 A, nom. voltage: 400 V, width: 8.2 mm, fuse type: C, mounting type: NS 35/7,5, NS 35/15, color: black

Fuse modular terminal block - ST 4-FSI/C-LED 12 - 3036495



Fuse terminal block with LED for mounting on NS 35, for miniature circuit breakers, terminal width: 8.2 mm, color: Black

Fuse modular terminal block - ST 4-FSI/C-LED 24 - 3036505



Fuse terminal block with LED for mounting on NS 35, for miniature circuit breakers, terminal width: 8.2 mm, color: Black

Fuse modular terminal block - UK 6-FSI/C - 3118203



Flat-type fuse terminal block, cross section: 0.2 - 6 mm<sup>2</sup>, AWG: 26 - 8, width: 8.2 mm, color: black

Fuse modular terminal block - UK 6-FSI/C-LED12 - 3001925



Flat-type fuse terminal block, cross section: 0.2 - 6 mm<sup>2</sup>, AWG: 26 - 8, width: 8.2 mm, color: black, with light indicator, voltage light indicator: 12 V DC, current light indicator: 2 mA

## Thermal device circuit breaker - TCP 6A - 0712275

### Accessories

#### Fuse modular terminal block - UK 6-FSI/C-LED24 - 3001938



Flat-type fuse terminal block, cross section: 0.2 - 6 mm<sup>2</sup>, AWG: 26 - 8, width: 8.2 mm, color: black, with light indicator, voltage light indicator: 24 V DC, current light indicator: 2 mA

---

#### Fuse modular terminal block - PT 6-FSI/C - 3212166



Fuse modular terminal block, fuse type: Flat, connection method: Push-in connection, cross section: 0.5 mm<sup>2</sup>- 10 mm<sup>2</sup>, AWG: 20 - 8, nominal current: 25 A, nom. voltage: 400 V, width: 8.2 mm, fuse type: C, mounting type: NS 35/7,5, NS 35/15, color: black

---

#### Fuse modular terminal block - PT 6-FSI/C-LED 12 - 3212169



Fuse modular terminal block, fuse type: Flat, connection method: Push-in connection, cross section: 0.5 mm<sup>2</sup>- 10 mm<sup>2</sup>, AWG: 20 - 8, nominal current: 25 A, nom. voltage: 12 V, width: 8.2 mm, fuse type: C, mounting type: NS 35/7,5, NS 35/15, color: black

---

#### Fuse modular terminal block - PT 6-FSI/C-LED 24 - 3212172



Fuse modular terminal block, fuse type: Flat, connection method: Push-in connection, cross section: 0.5 mm<sup>2</sup>- 10 mm<sup>2</sup>, AWG: 20 - 8, nominal current: 25 A, nom. voltage: 24 V, width: 8.2 mm, fuse type: C, mounting type: NS 35/7,5, NS 35/15, color: black

---

#### Fuse modular terminal block - PT 6-FSI/C-LED 48 - 3212175



Fuse modular terminal block, fuse type: Flat, connection method: Push-in connection, cross section: 0.5 mm<sup>2</sup>- 10 mm<sup>2</sup>, AWG: 20 - 8, nominal current: 25 A, nom. voltage: 48 V, width: 8.2 mm, fuse type: C, mounting type: NS 35/7,5, NS 35/15, color: black