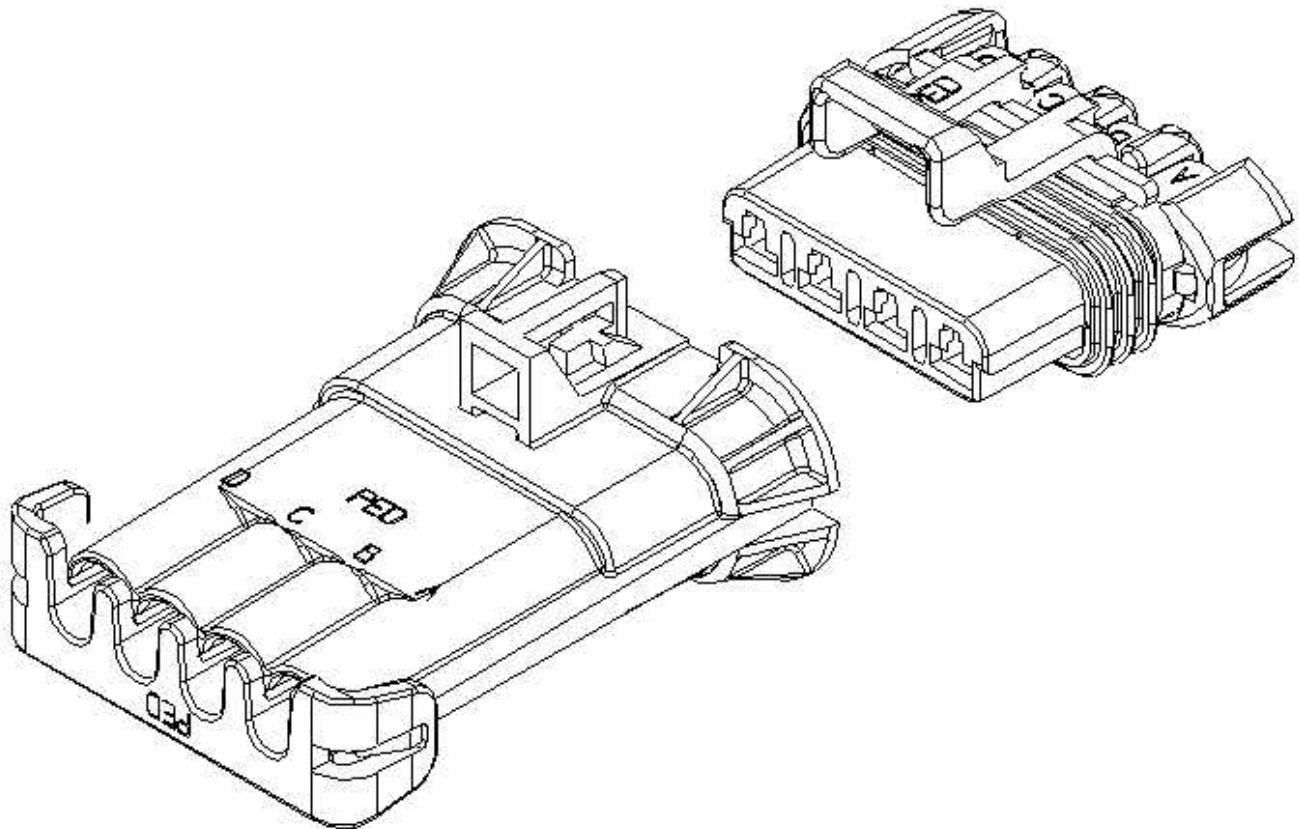
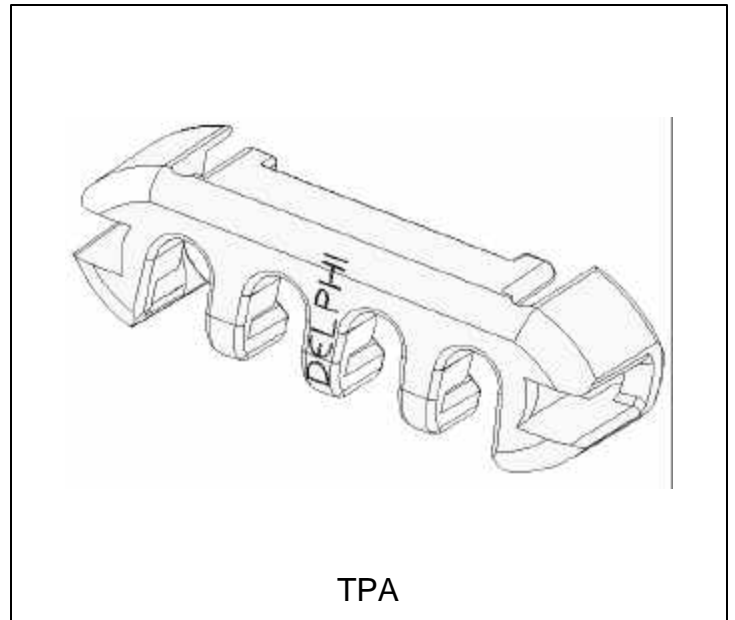
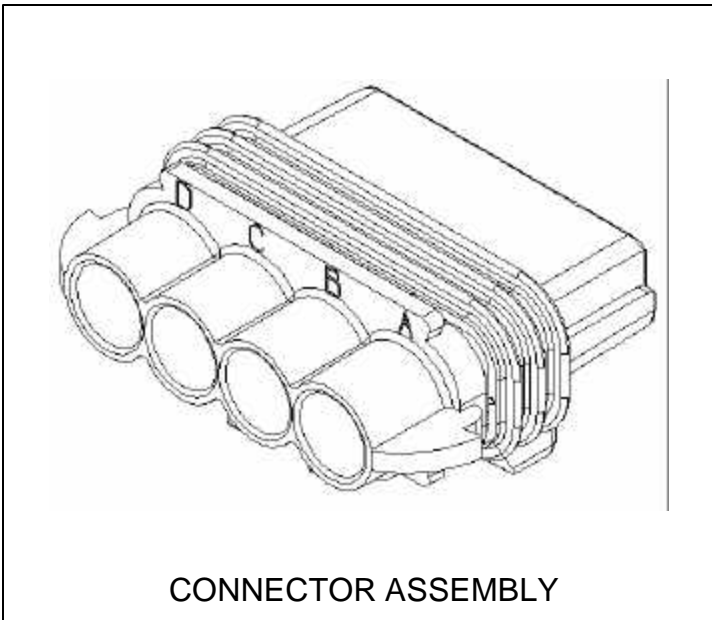


ASSEMBLY INSTRUCTIONS 280 METRI-PACK SEALED CONNECTOR



NOTE: PLEASE CONTACT YOUR DELPHI SALES REPRESENTATIVE WITH ANY QUESTIONS OR COMMENTS CONCERNING THESE ASSEMBLY INSTRUCTIONS. COMPONENT P/N'S AND REPAIR TOOL P/N'S ARE AVAILABLE FROM YOUR DELPHI SALES ENGINEER.

ASSEMBLY INSTRUCTIONS FEMALE 280 SEALED METRI-PACK COMPONENTS



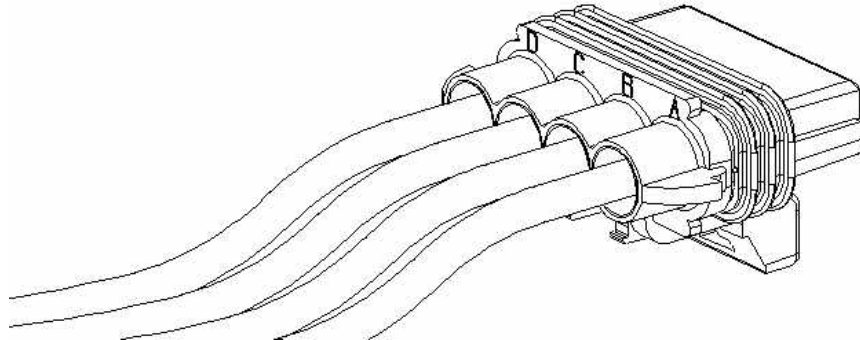
ASSEMBLY INSTRUCTIONS FEMALE 280 SEALED METRI-PACK CONNECTOR

STEP 1: PLUG LEADS TO CONNECTOR ASSEMBLY PER PRINT.

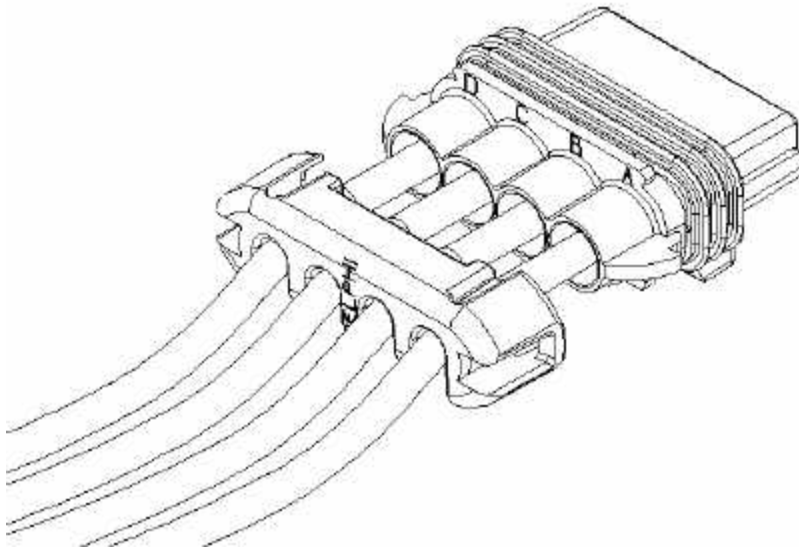
STEP 2: AFTER ALL LEADS ARE PLUGGED, BUILD (1) ONE TPA (TERMINAL POSITION ASSURANCE) TO CONNECTOR.

- A. HOLD CONNECTOR WITH PLUGGING SIDE AWAY FROM HAND. HOLD TPA WITH FLAT SIDE TOWARD PALM.
- B. LINE UP NIBS WITH CORRESPONDING GROOVES, AND VERIFY ONE LEAD PER CAVITY. APPLY PRESSURE WITH FINGERS UNTIL TPA SNAPS INTO PLACE.

ASSEMBLY INSTRUCTIONS FEMALE 280 SEALED METRI-PACK CONNECTOR

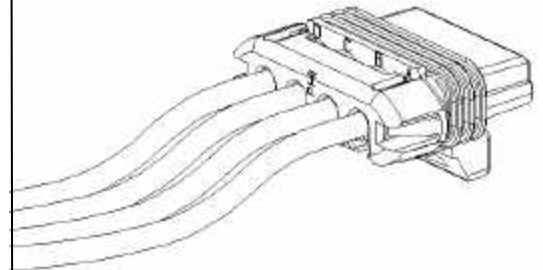


STEP 1: PLUG LEADS TO CONNECTOR ASSEMBLY PER PRINT.



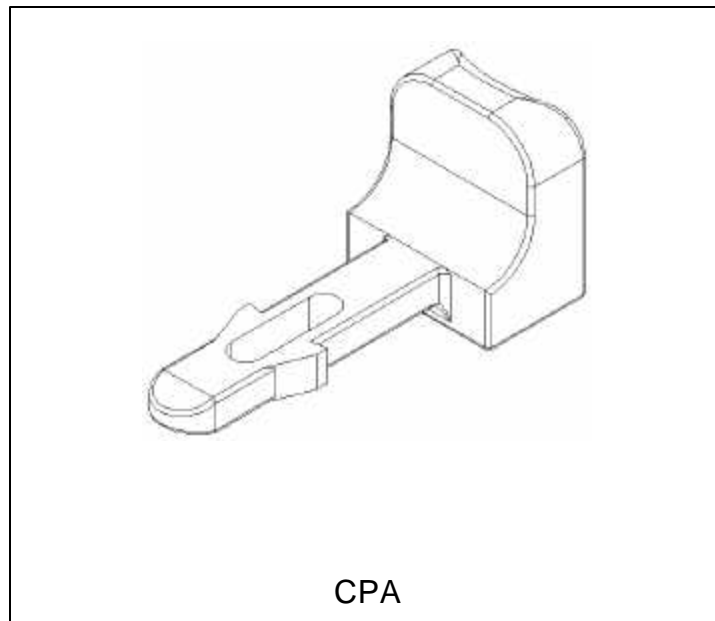
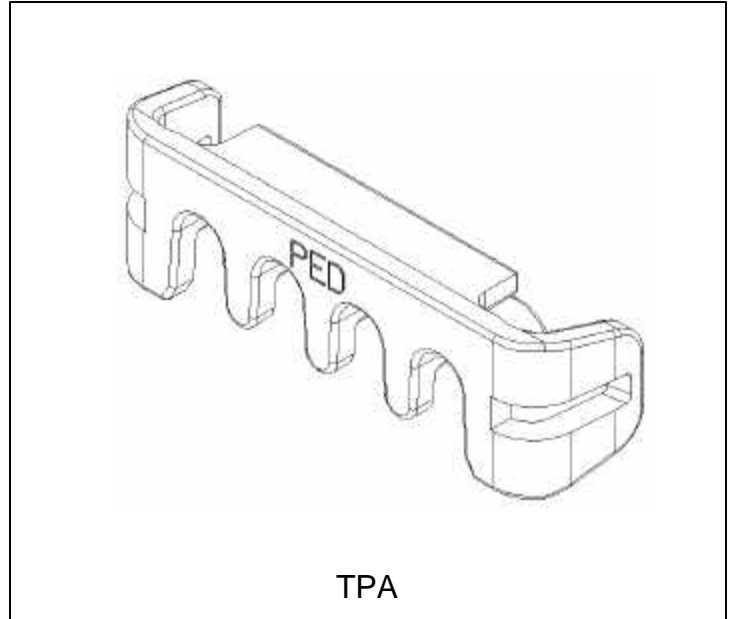
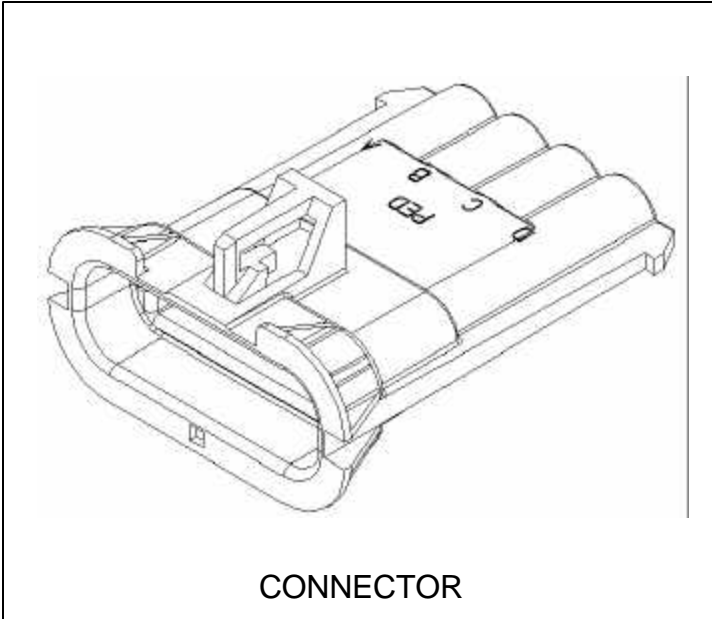
STEP 2: AFTER ALL LEADS ARE PLUGGED, BUILD (1) ONE TPA TERMINAL POSITION ASSURANCE TO CONNECTOR.

- A. HOLD CONNECTOR WITH PLUGGING SIDE AWAY FROM HAND. HOLD TPA WITH FLAT SIDE TOWARD PALM.
- B. LINE UP NIBS WITH CORRESPONDING GROOVES, AND VERIFY ONE LEAD PER CAVITY. APPLY PRESSURE WITH FINGERS UNTIL TPA SNAPS INTO PLACE.



**COMPLETED
STEP 2**

ASSEMBLY INSTRUCTIONS MALE 280 SEALED METRI-PACK COMPONENTS



Note: Assembly Instructions are provided for *reference* only, and are intended for use by skilled assembly technicians. Personal injury, failure of the system to work as intended, and damage to the product may result from failure to follow the assembly and disassembly techniques and/or use of tools other than those described. Always follow Assembly Instructions thoroughly, and please contact Delphi Connection Systems for further assistance.

ASSEMBLY INSTRUCTIONS MALE 280 SEALED METRI-PACK CONNECTOR

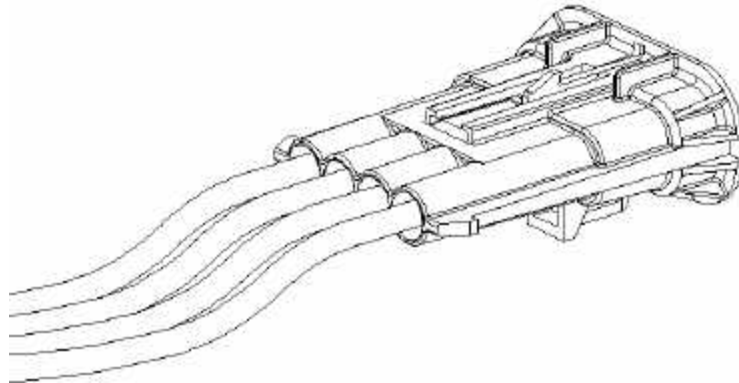
STEP 1: PLUG LEADS TO CONNECTOR ASSEMBLY PER PRINT.

STEP 2: AFTER ALL LEADS ARE PLUGGED, BUILD ONE (1) TPA TO CONNECTOR.

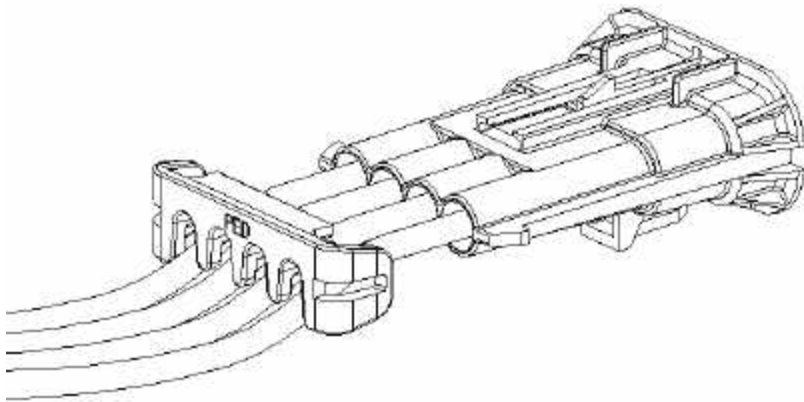
- A. HOLD CONNECTOR WITH PLUGGING SIDE AWAY FROM HAND. HOLD TPA WITH FLAT SIDE TOWARD PALM.
- B. LINE UP NIBS WITH CORRESPONDING GROOVES, AND VERIFY ONE LEAD PER CAVITY. APPLY PRESSURE WITH FINGERS UNTIL TPA SNAPS INTO PLACE.

Note: Assembly Instructions are provided for *reference* only, and are intended for use by skilled assembly technicians. Personal injury, failure of the system to work as intended, and damage to the product may result from failure to follow the assembly and disassembly techniques and/or use of tools other than those described. Always follow Assembly Instructions thoroughly, and please contact Delphi Connection Systems for further assistance.

ASSEMBLY INSTRUCTIONS MALE 280 SEALED METRI-PACK CONNECTOR

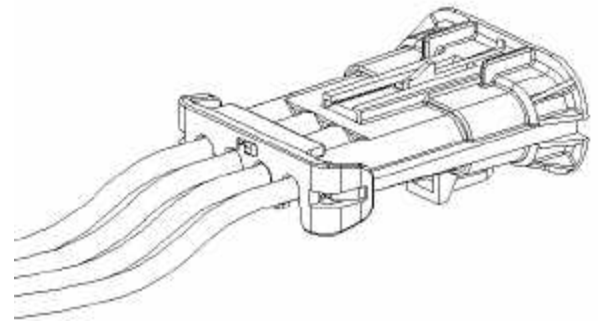


STEP 1: PLUG LEADS TO CONNECTOR ASSEMBLY PER PRINT.



STEP 2: AFTER ALL LEADS ARE PLUGGED, BUILD ONE (1) TPA TO CONNECTOR.

- A. HOLD CONNECTOR WITH PLUGGING SIDE AWAY FROM HAND. HOLD TPA WITH FLAT SIDE TOWARD PALM.
- B. LINE UP NIBS WITH CORRESPONDING GROOVES, AND VERIFY ONE LEAD PER CAVITY. APPLY PRESSURE WITH FINGERS UNTIL TPA SNAPS INTO PLACE.



**COMPLETED
STEP 2**

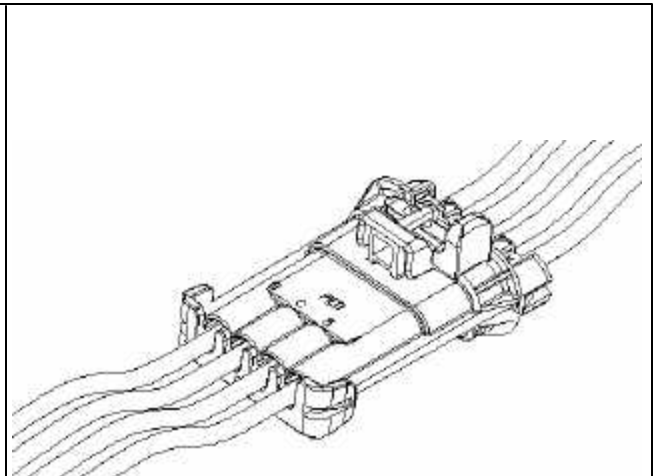
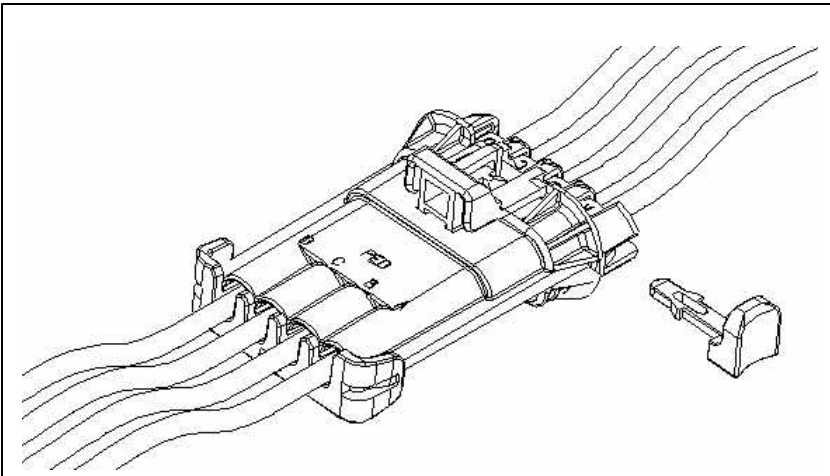
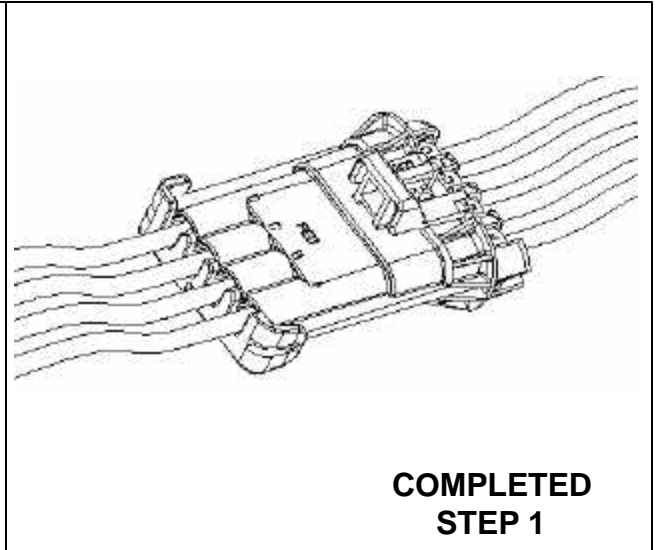
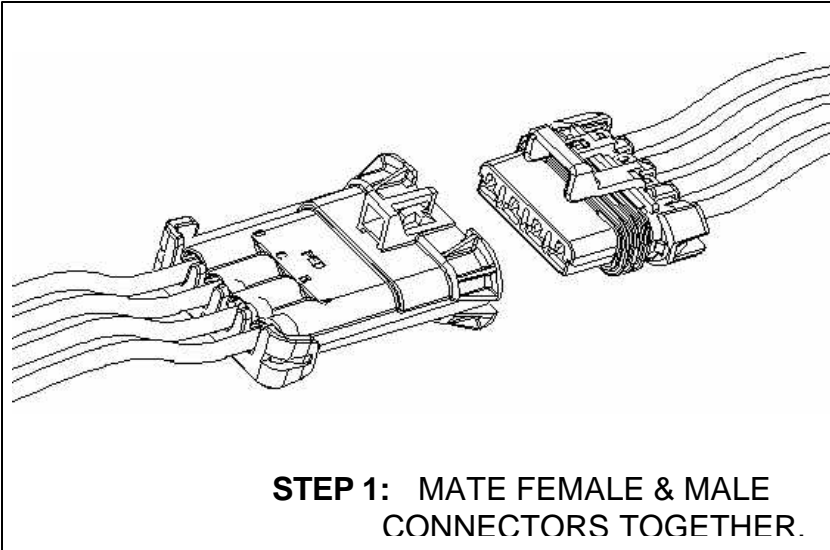
FINAL ASSEMBLY INSTRUCTIONS FEMALE & MALE 280 SEALED METRI-PACK CONNECTOR

STEP 1: MATE MALE & FEMALE CONNECTORS TOGETHER.

STEP 2: BUILD ONE (1) CPA (CONNECTOR POSITION ASSURANCE) TO MATED CONNECTORS.

- A. HOLD MATED CONNECTORS. HOLD CPA WITH EXTENSION TOWARD CONNECTOR.
- B. SLIDE EXTENSION INTO SLOT AND APPLY PRESSURE WITH FINGERS UNTIL CPA SNAPS INTO PLACE.

FINAL ASSEMBLY INSTRUCTIONS FEMALE & MALE 280 SEALED METRI-PACK CONNECTOR



STEP 2: BUILD ONE (1) CPA CONNECTOR POSITION ASSURANCE TO MATED CONNECTORS.

- A. HOLD MATED CONNECTORS. HOLD CPA WITH EXTENSION TOWARD CONNECTOR.
- B. SLIDE EXTENSION INTO SLOT AND APPLY PRESSURE WITH FINGERS UNTIL CPA SNAPS INTO PLACE.