



# Datasheet

ENGLISH

Stock No.s: 1748418, 1748419, 1748420, 1748424, 1748425

## Compact, External Fitting Float Switch, via Compression Seal



- **Compression seal fitting**
- **Flying Lead connection**
- **Available in Nylon and Polypropylene**
- **25VA Switching Capacity**

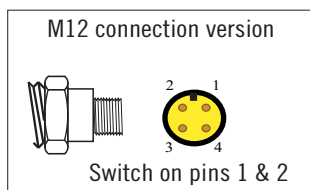
Designed for fitting through a tank wall from the outside, where access to the inside for fitting is not possible.

Typical applications include vending machines, commercial dishwashers and auxiliary tanks on vehicles.

These are manufactured in a choice of plastics, with a choice of gasket materials, to suit most commonly used liquids.

The switch action may be reversed by mounting the device with the float able to move upwards away from the body, instead of the more normal downwards direction.

Available with flying leads or M12 4-pin connectors for electrical connection.



### Technical Specification

Material	Nylon	Polypropylene
Colour	Black	Opaque
Temp. Range* °C	-20 / +75	-20 / +100
°F	-4 / +167	-4 / +212
Min. Fluid SG	0.85	0.85
Must close level (SG=1)	7mm	8mm
Must open level (SG=1)	20mm	20mm.

\*Temperature ranges apply to wetted components

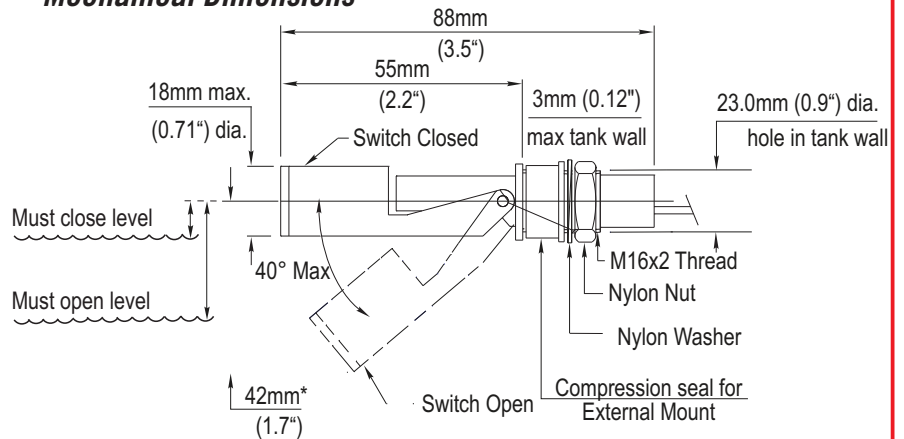
### Electrical Specification

Contact Form	N/O (N/C)	
Switching Power Max	VA	25
Switching Voltage AC Max	V	240
Switching Voltage DC Max	V	120
Switching Current Max	A	0.6

All ratings are for resistive load only.

RS Stock No.	Material	Max Power	Leadouts	Gasket
1748419	Nylon	25VA	100cm PVC 16/0.2	Nitrile
1748418	Nylon	25VA	100 cm PVC 16/0.2	Silicone
1748420	Polypropylene	25VA	100cm PVC 16/0.2	Nitrile
1748424	Nylon	25VA	M12 4-pin	Nitrile
1748425	Nylon	25VA	M12 4-pin	Nitrile

### Mechanical Dimensions



Made in the UK

Specifications are subject to change without prior notice.

RSF70 RS Pro 2018