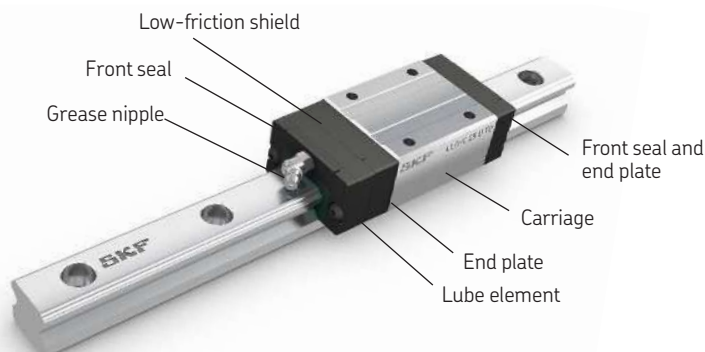


Lube element

LLTHZ S6



Benefits

- Longer relubrication intervals¹⁾
- Less maintenance costs
- Easy mounting and replacement by clicking onto/over the rail
- Applicable for horizontal and vertical mounting
- Can be combined and ordered with standard LLT accessories, such as seal kit
- Suitable for all carriage types (size 15 to 35)
- Delivered ready to mount with all needed parts and filled with oil

How it works

The lube element is to be mounted in line with the carriage on the end plate. The integrated foam element is filled with oil and in permanent contact with the raceways of the rail. By capillary attraction of the foam element the lubricant is disposed to that point. The supplied oil reaches the inside of the carriage via the raceways and maintains the optimal tribological conditions. The low friction shield allows the oil to pass. To keep dirt outside and lubricant inside the carriage, the front seal originally delivered with the carriage is now mounted at the outside of the lube element.

Technical data

The relubrication interval of 5 000 km with lube element is valid for all sizes and under following pre-conditions:

Load ratio:	$F_m \leq 0,3C$
Speed:	$\leq 1 \text{ m/s}$
Temperature:	+10 up to +50 °C
Mounting:	One lube element per lubricated carriage

The lube element is filled with high quality oil which has the right viscosity and is compatible with the grease of the carriage. Other oil types can be validated by SKF on request. The lube element housing is made of POM. By mounting a grease nipple to the lube element, the carriage can be regularly greased. It is not possible to refill the lube element. For ideal function the lube element should be replaced after 5 000 km of travel distance, unless regular greasing is given through the grease nipple.

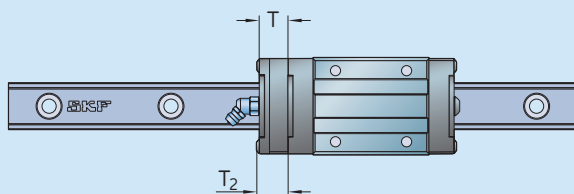
Because of the contact of the foam to the raceways of the rail, a slight increase of friction can occur.

A lube set LLTHZ S6 consists of one low-friction shield (S0), one lube element and two screws. The permissible storage temperature is -15 up to +50 °C. The maximum storage duration in a warehouse is two years under the above mentioned conditions.

In case of different pre-conditions in the application, the performance may differ. Please contact SKF for further information.

Dimensions

The carriage length increases by value T_2 , when a lube element is used



Size	T	T ₂ (including screw head)	Tightening torque of mounting screws
	mm	mm	Nm
15	10,5	11,0	0,20
20	12,5	13,0	0,20
25	14,5	15,0	0,20
30	14,5	15,0	0,38
35	17,5	18,0	0,38

¹⁾ Details and pre-conditions see technical data.

Mounting

- 1 Remove grease nipple (b) and washers (c1, c2) or the set screw (a)
- 2 Remove the mounting screws (d)
Remove the front seal (e) and replace it with the low-friction shield (h)
- 3 Position the lube element (g) in front of the low-friction shield (h)
- 4 Add the front seal (e) to the lube element (g)
- 5 Install the new mounting screws (f) and tighten them with the given torque
- 6 Move the carriage with the mounted lube element on the rail
- 7 Install the grease nipple (b) and washers (c1, c2) if necessary
- 8 If the grease nipple (b) is not required, install the set screw (a) instead

Replacement

- 1 Remove grease nipple (b) and washers (c1, c2) or the set screw (a)
- 2 Remove the mounting screws (f)
- 3 Pull the front seal (e) away from the old lube element
- 4 Pull the old lube element away from the carriage and remove from the rail
- 5 Position the new lube element (g) onto the rail as shown in **fig. 2**
- 6 Push the front seal (e) together with the new lube element to the carriage
- 7 Install the mounting screws (f) and tighten them with the given torque
- 8 Move the carriage with the mounted lube element on the rail and check the sealing function (if bad, adjust the seal)
- 9 Install the grease nipple (b) and washers (c1, c2) if necessary
- 10 Re-grease the carriage as described in the catalogue of LLT profile rail guides
- 11 If grease nipple (b) is not required, install a set screw after re-greasing instead

Fig. 1

Mounting

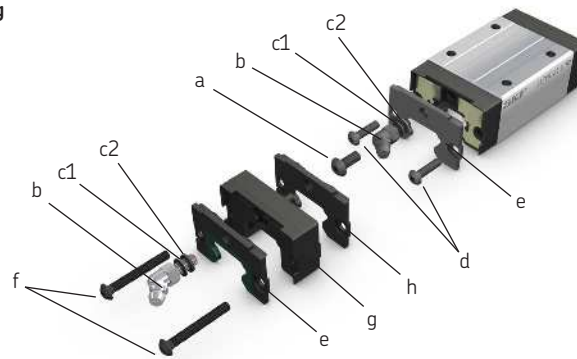
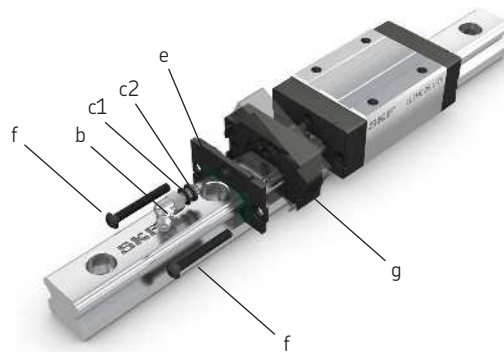


Fig. 2

Replacement



Ordering key

L L T H Z S 6

Size

15, 20, 25, 30, 35

Options

- Single lube element
- /S1: Including scraper plate S1
- /S3: Including seal kit S3
- /S7: Including additional front seal S7

skf.com

© SKF is a registered trademark of the SKF Group.

© SKF Group 2015
The contents of this publication are the copyright of the publisher and may not be reproduced (even extracts) unless prior written permission is granted. Every care has been taken to ensure the accuracy of the information contained in this publication but no liability can be accepted for any loss or damage whether direct, indirect or consequential arising out of the use of the information contained herein.

PUB MT/P8 15876 EN · July 2015

SKF®