

1

2

3

4

5

6

A

A

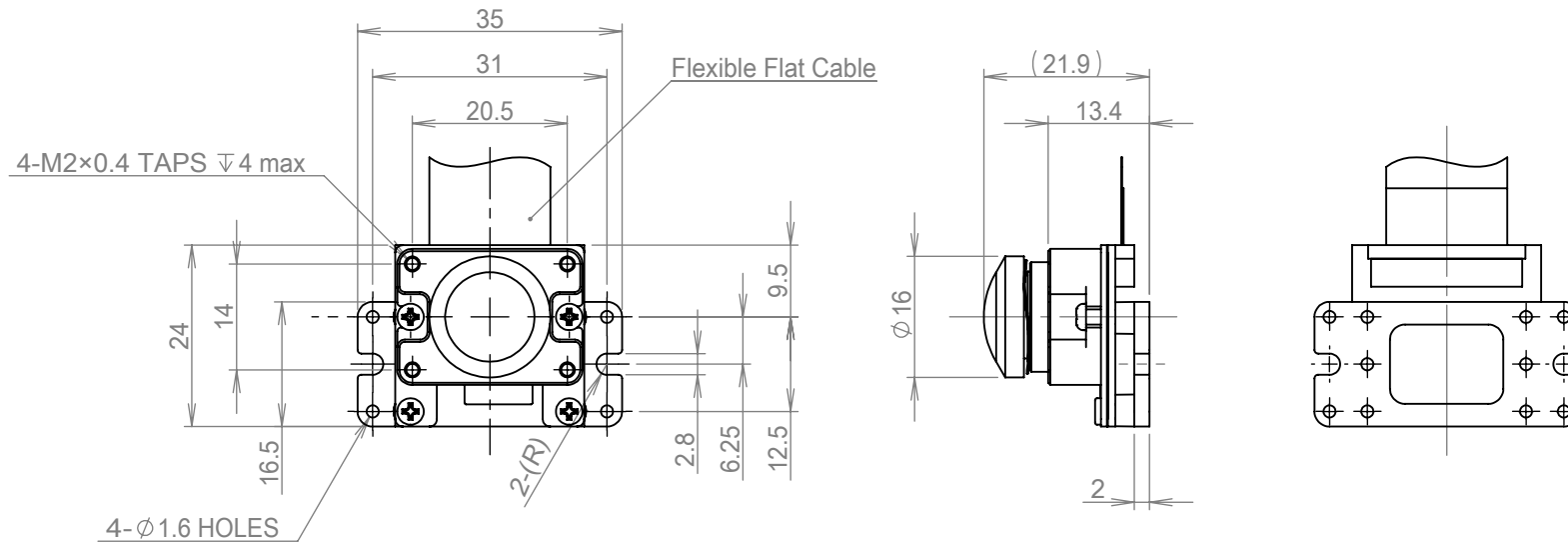
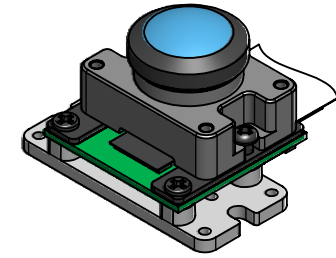
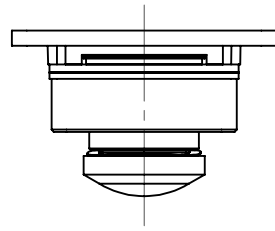
B

B

C

C

D



△5					FINISH	TITLE		PHASE	SURF. ROUGHNESS	
△4						Reference diagram				
△3					MATERIAL	MODEL				
△2						PARTS NAME				
△1					APPROVED	CHECKED	DRAWN	DESIGNED	Raspberry Pi VR 220 Camera	
SYM	DATE	REVISIONS	REV	APPV.			REC-D.	REC-D.	A4	UNIT
NOTES				QUANTITY					mm	
DEPARTMENT						2018.01.17	2018.01.17	SCALE:1:1	SHEET 1 OF 1	

1

2

