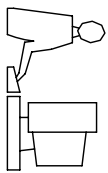
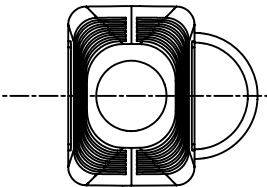
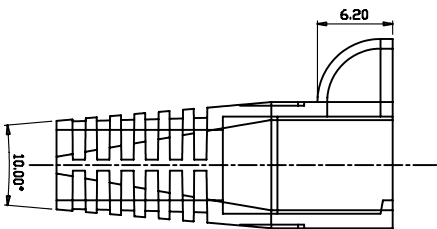
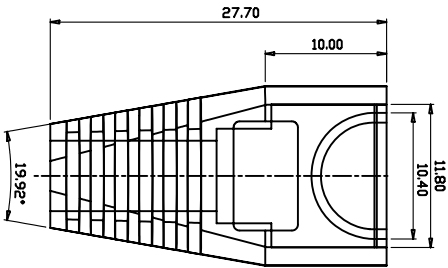
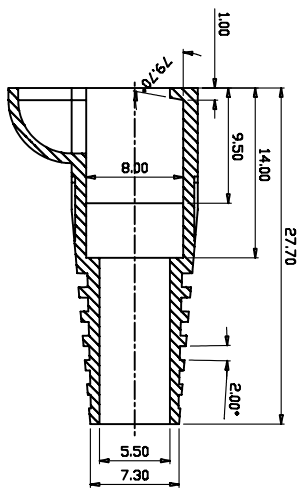
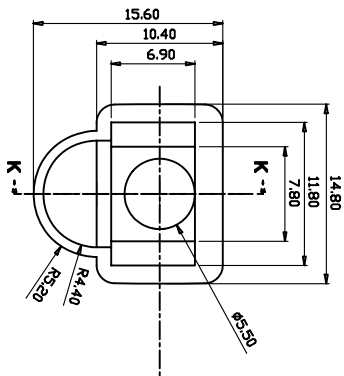


THIS IS A CAD GENERATED DRAWING  
DO NOT MAKE MANUAL REVISIONS TO MASTER.



\* UNLESS OTHERWISE SPECIFIED TOLERANCES  
ON DECIMAL IS: ANGLE :XX ± 0.1°  
UNIT: MM .XX ± 0.1  
.XXX ± 0.05



ORDERING INFORMATION:

STANDARD 6.0 MM

COLOUR	P/N - BULK	PRODUCT CODE
Light Grey	6510-0100-01	MHRJ45SRB-LG
Dark Grey	6510-0100-02	MHRJ45SRB-DG
Blue	6510-0100-03	MHRJ45SRB-B
Yellow	6510-0100-04	MHRJ45SRB-Y
Green	6510-0100-05	MHRJ45SRB-G
Black	6510-0100-06	MHRJ45SRB-BK
Purple	6510-0100-07	MHRJ45SRB-P
White	6510-0100-08	MHRJ45SRB-W
Orange	6510-0100-09	MHRJ45SRB-O
Red	6510-0100-10	MHRJ45SRB-R
Pink	6510-0100-11	MHRJ45SRB-PK

THESE DRAWINGS AND SPECIFICATIONS ARE THE PROPERTY OF MH CONNECTORS LTD. AND SHALL NOT BE REPRODUCED, COPIED OR USED AS THE BASIS FOR THE MANUFACTURE OR SALE OF APPARATUS WITHOUT WRITTEN PERMISSION.

DRAWN DATE

Johnny

03-23-13

APPROVED

DATE

SCALE

SHEET OF

REV:

1 DF 1

1.0

MH CONNECTORS LTD.

DRAWING No

MHRJ45SRB-XX



THIS SERIES FULLY CONFORMS TO THE  
EUROPEAN UNION DIRECTIVES 2002/95/EC  
AND 2002/96/EC FOR ROHS COMPLIANCY.

