



# LT10-BV-RS-B Housing

Polymeric vessels for water filtration



Parker LT Polymeric Vessels are an ideal economical choice for low flow industrial and potable water applications.

Standard diameter vessels accommodate 2-1/2 inch outside diameter double-open-end cartridges and meet FDA requirements for use with potable fluids.

Benefits	➔
The all polymeric, corrosion-resistant LT series vessels are economical alternatives to stainless steel vessels when high temperature and high pressure are not specified.	
LT Vessels are made of materials that meet FDA requirements.	
Positive head-to-shell "stop" prevents over tightening.	
Unique O-ring design ensures effective sealing by positive tangential contact and eliminates accidental misplacement.	
LT model vessels are ideal for bonded, pleated and wound cartridges, as well as activated carbon cartridges.	
Optional installation wrenches accommodate faster cartridge changeout.	
Mounting brackets are available for wall installation.	
LT series vessels are tested to industry standards of Water Quality Association for burst pressure, seal integrity, and fatigue resistance.	

APPLICATIONS
✓ Potable water
✓ Post oil/water separator polishing
✓ Beverages
✓ Leisure/commercial shipping bilge
✓ Bottled water water
✓ DI water
✓ Industrial discharge water
✓ Food products
✓ Compressor condensate
✓ Process water
✓ Alkaline parts washing



ENGINEERING YOUR SUCCESS.



# LT10-BV-RS-B Housing

Polymetric vessels for water filtration

## Specifications

### Materials of Construction:

Blue reinforced polypropylene head with clear styrene Acrylonitrile (SAN) shell.

### Operating Conditions:

Maximum operating temperature:  
125°F (52°C) @ 100 psi (6.9 bar)

Maximum operating pressure:  
150 psi (10.3 bar) @75°F (22°C)

### Maximum Recommended Flow Rate:

6 gpm (23 lpm)

### Connection Dimensions:

3/4 in BSP

### Head-to-shell O-ring:

2.5 barg (36 psid)

### Accepts Industry Standard Cartridge

#### Sizes (Nominal):

Lengths

9 13/16 in (249 mm)

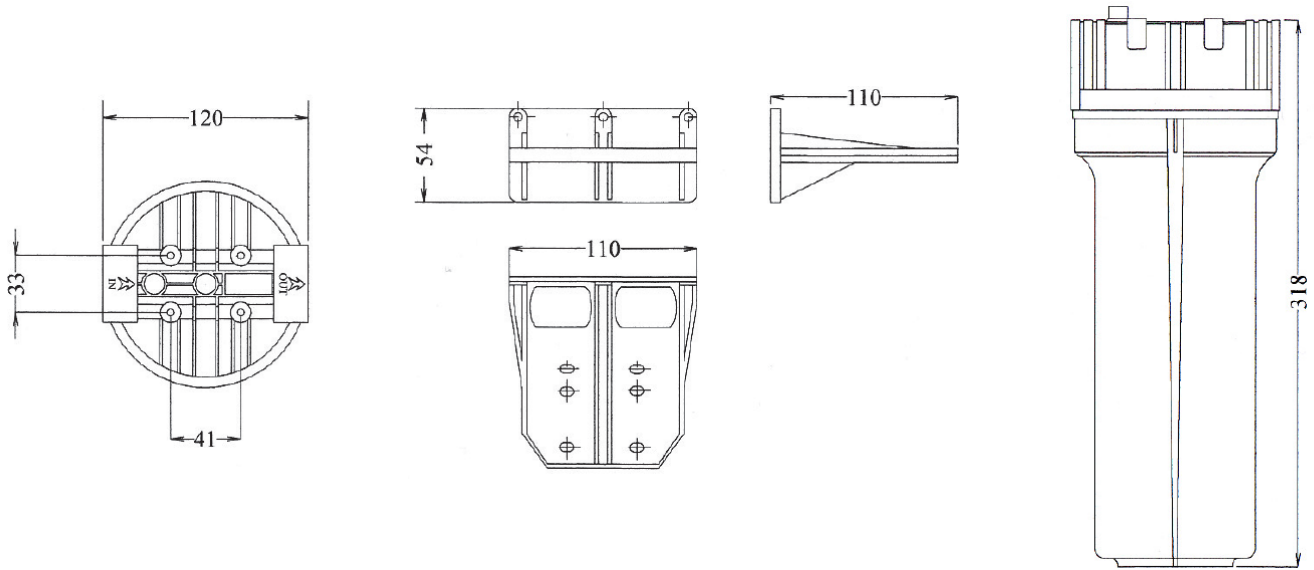
I.D. - 1 1/16 in (27 mm)

O.D. - 2 1/2 in (64 mm)

### Specifications:

Head:	Filled Polypropylene
Bowl:	Transparent SAN
O-ring:	Nitrile
Working pressure:	8 bar max
Bursting pressure:	35 bar
Working temperature:	50°C
Cyclic Pressure test:	Passes 200,000 cycles from 0-10 bar

## Dimensions - shown 3/4" ported versions



## Ordering information

LT - 10 - B - V - RS - B

Code	Series
LT	Vessel for nominal 2 1/2 in O.D. cartridges

Code	Inch
10	10

Code	Seal
B	Buna Nitrile

Code	Vent
V	Vent

